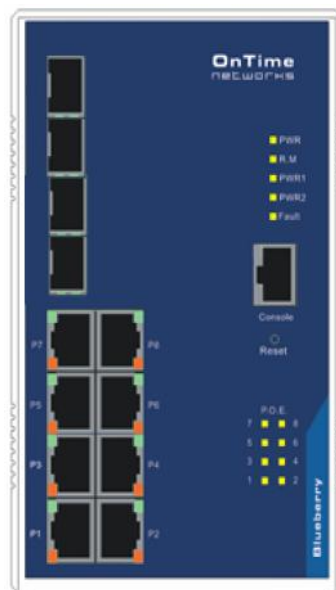


## Blueberry 12 port managed Power over Ethernet (PoE+) Industrial switch, BM-3700 series

### Features

- 8 x 10/100/1000BASE-TX ports
- 4 x 1000BASE-X SFP ports
- PoE+ on each of the 8 x 10/100/1000BASE-TX ports (up to 30Watt per port)
- PTPv2 Transparent Clock according to IEEE 1588 Std 2008
- Network redundancy: OnTime-Ring- or MSTP/RSTP/STP protocol
- Network management: Web, telnet, CLI and SNMP v1/v2/v3 with RMON
- Multicast filtering: IGMP snooping
- IEEE802.1Q VLAN
- Event notification: through Syslog, Email, and SNMP trap
- Wide operating temperature: [-40°C..70°C]
- Dual redundant DC power input
- Mounting: DIN-Rail



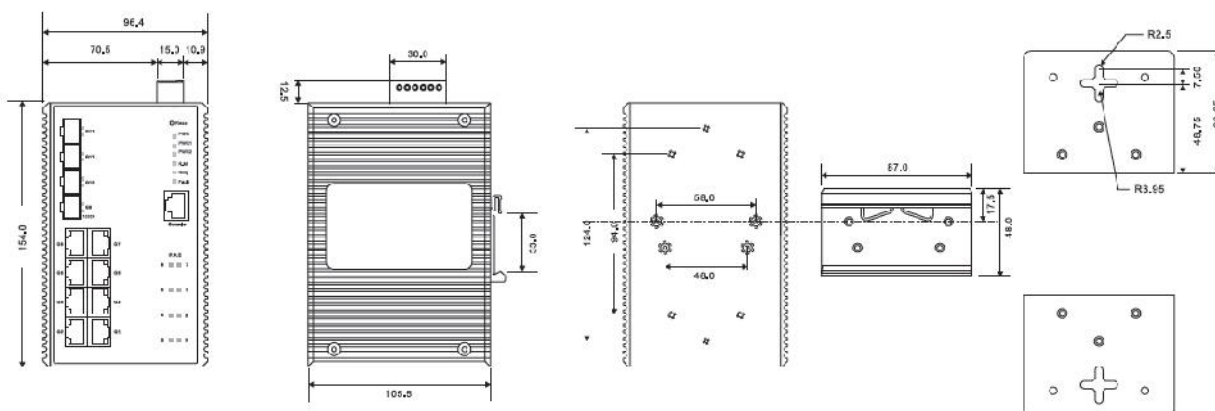
The switches in the BM-3700 series offer PoE+ (Power Sourcing Equipment (PSE)) on each of the 8 10/100/1000BASE-TX ports. The PoE+ implementation is fully compliant with the IEEE802.3at standard and up to 30 Watt can be provided per port. The switch offers full management based on HTTP, telnet, CLI, SNMP or the OnTime-Vision software application. Network Redundancy is achieved based on the OnTime-Ring- (recovery time < 30ms over 250 units of connection), OnTime-RSTP- or MSTP/RSTP/STP (IEEE 802.1s/w/D) protocol. The switch is designed for industrial environments. The switch offers a wide operating temperature range, [-40°C..70°C]. The switch also contains four 1000BASE-X SFP cages. Up to four SFPs of the following types can be installed in the four SFP cages:

1000BASE-SX, 1000Mbps, multi-mode (850nm) LC connector – 550m; 850nm multi-mode  
1000BASE-LX, 1000Mbps, single-mode (1310nm) LC connector – 10km; 1310nm single-mode

Other SFPs including BIDI fiber transceivers for other fiber lengths are available on request.



## Dimensions



## Specifications

### Ethernet ports

**10/100/1000BASE-TX ports in RJ45** 8

**Auto MDI/MDIX**

**1000BASE-X SFP slots** 4

### Technology

#### Ethernet standards

IEEE 802.3 for 10Base-T  
 IEEE 802.3u for 100Base-TX and 100Base-FX  
 IEEE 802.3z for 1000Base-X  
 IEEE 802.3x for Flow control  
 IEEE 802.3ad for LACP (Link Aggregation Control Protocol)  
 IEEE 802.1D for STP (Spanning Tree Protocol)  
 IEEE 802.1p for COS (Class of Service)  
 IEEE 802.1Q for VLAN Tagging  
 IEEE 802.1w for RSTP (Rapid Spanning Tree Protocol)  
 IEEE 802.1s for MSTP (Multiple Spanning Tree Protocol)  
 IEEE 802.1x for Authentication  
 IEEE 802.1AB for LLDP (Link Layer Discovery Protocol)  
 IEEE 802.3at PoE+ specification (up to 30Watt per port)  
 IEEE 1588 Transparent Clock

**MAC table** 8192 MAC addresses

**Priority queues** 4

**Switch properties** Store-and-forward and full wire speed on all ports

**Security Features** Enable/disable ports, MAC based port security  
 Port based network access control (802.1x)  
 VLAN (802.1Q) to segregate and secure network traffic





	Radius centralized password management SNMPv3 encrypted authentication and access security
<b>Network redundancy</b>	OnTime-Ring STP RSTP MSTP
<b>Management</b>	HTTP, telnet, CLI and SNMP v1/v2/v3 or Windows Open Vision
<b>Other protocols</b>	IGMP snooping (up to 1024 multicast filters) Port rate limiting TOS/Diffserv supported Quality of Service (802.1p) for real-time traffic VLAN (802.1Q) with VLAN tagging and GVRP Port configuration, status, statistics, monitoring, security
<b>RS232 console port</b>	RS-232 in RJ45 connector with console cable. Baud rate setting: 115200bps, 8, N, 1
<b>LEDs</b>	
<b>Power</b>	Green : Power LED x 3, Indicate power input
<b>10/100/1000BASE-TX RJ45 ports</b>	Green for port Link/Activity
<b>Fiber port indicators</b>	Green for port Link/ Activity
<b>R.M.</b>	Indicate switch operating in OnTime-Ring Master mode
<b>Ring</b>	Indicate switch operating in OnTime-Ring mode
<b>PoE</b>	Green for PoE being enabled
<b>Fault</b>	Amber : Indicate power fault or other failure
<b>Fault relay</b>	
<b>Relay</b>	Relay output to carry capacity of 1A at 24VDC
<b>Power</b>	
<b>Redundant Input Power</b>	Dual DC inputs. 48VDC on 6-pin terminal block 50-57VDC in order to get up to 30W on all PoE ports (28W is possible with 48VDC)
<b>Power Consumption (Typ.)</b>	20Watt (without PoE)
<b>Overload Current Protection</b>	Yes
<b>Reverse Polarity Protection</b>	No
<b>Physical Characteristic</b>	
<b>Enclosure</b>	IP30, Aluminum case
<b>Dimension (W x D x H)</b>	96.4(W) x 108.5(D) x 154(H) mm (3.8 x 4.3 x 6.1 inch.)
<b>Weight (g)</b>	1400g
<b>Installation</b>	DIN rail mounting
<b>Environmental</b>	
<b>Storage Temperature</b>	-40 to 85°C (-40 to 185°F)
<b>Operating Temperature</b>	-40 to 70°C (-40 to 158°F)
<b>Operating Humidity</b>	5% to 95% Non-condensing





Approvals	
<b>EMI</b>	FCC Part 15, CISPR (EN55022) class A
<b>EMS</b>	EN61000-4-2 (ESD), EN61000-4-3 (RS), EN61000-4-4 (EFT), EN61000-4-5 (Surge), EN61000-4-6 (CS), EN61000-4-8, EN61000-4-11
<b>Shock</b>	IEC60068-2-27
<b>Free fall</b>	IEC60068-2-32
<b>Vibration</b>	IEC60068-2-6
<b>Safety</b>	EN60950
<b>Warranty</b>	5 years

## Ordering information

Product	
<b>BM-3708F0</b>	Managed industrial PoE Ethernet switch with 8 x 10/100/1000BASE-TX (RJ-45) + 4 x SFP
<b>BM-3709F1-SX</b>	Managed industrial PoE Ethernet switch with 8 x 10/100/1000BASE-TX (RJ-45) + 4 x SFP + 1 x 1000BASE-SX-550m (LC), 850nm multi-mode
<b>BM-3709F1-LX</b>	Managed industrial PoE Ethernet switch with 8 x 10/100/1000BASE-TX (RJ-45) + 4 x SFP + 1 x 1000BASE-LX-10km (LC) , 1310nm single-mode
<b>BM-3710F2-SX</b>	Managed industrial PoE Ethernet switch with 8 x 10/100/1000BASE-TX (RJ-45) + 4 x SFP + 2 x 1000BASE-SX-550m (LC), 850nm multi-mode
<b>BM-3710F2-LX</b>	Managed industrial PoE Ethernet switch with 8 x 10/100/1000BASE-TX (RJ-45) + 4 x SFP + 2 x 1000BASE-LX-10km (LC) , 1310nm single-mode
<b>BM-3711F3-SX</b>	Managed industrial PoE Ethernet switch with 8 x 10/100/1000BASE-TX (RJ-45) + 4 x SFP + 3 x 1000BASE-SX-550m (LC), 850nm multi-mode
<b>BM-3711F3-LX</b>	Managed industrial PoE Ethernet switch with 8 x 10/100/1000BASE-TX (RJ-45) + 4 x SFP + 3 x 1000BASE-LX-10km (LC) , 1310nm single-mode
<b>BM-3712F4-SX</b>	Managed industrial PoE Ethernet switch with 8 x 10/100/1000BASE-TX (RJ-45) + 4 x SFP + 4 x 1000BASE-SX-550m (LC), 850nm multi-mode
<b>BM-3712FC4-LX</b>	Managed industrial PoE Ethernet switch with 8 x 10/100/1000BASE-TX (RJ-45) + 4 x SFP + 4 x 1000BASE-LX-10km (LC) , 1310nm single- mode

