

# Quick Installation Guide

## Blueberry Industrial lite Managed Fast Ethernet Switches

**BM-300 series**

Power1 LED, Green, On = DC power module 1 activated  
Power2 LED, Green, On = DC power module 2 activated  
Ring Enabled LED, Green, On = OnTime-Ring enabled

Fault LED, Amber, On = Power failure or Port down/failure  
Ring Master LED, Green, On = switch is OnTime-Ring Master

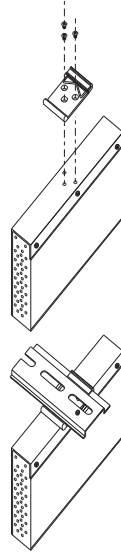
No. 5/No. 6 100BASE-X, SFPs  
LNK/ACK LED  
Green, On = link is up, blinking = traffic

**DIP Switch Function**

| DIP-Switch | Description                            |
|------------|--|
| 1          | ON Power failure relay alarm enable    |
|            | OFF Power failure relay alarm disable  |
| 2          | ON O-Ring enable                       |
|            | OFF O-Ring disable                     |
| 3          | ON Ring master enable                  |
|            | OFF Ring master disable                |
| 4          | ON Set Ring port with Port-5 & Port-6  |
|            | OFF Set Ring port with Port-1 & Port-2 |

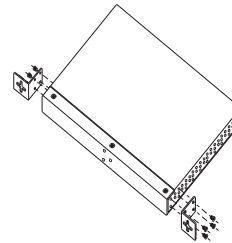
**Installation**

**DIN-Rail Install Step**

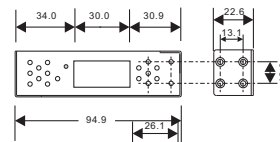


1. Slant the switch and mount the metal spring to the DIN rail
2. Push the switch towards the DIN rail until a «click» sound can be heard

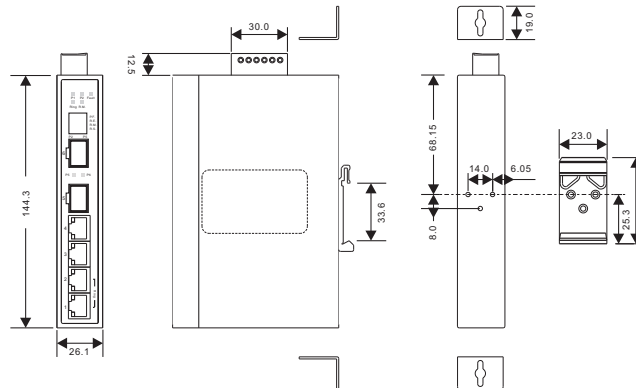
**Wall-mounted Install Step**



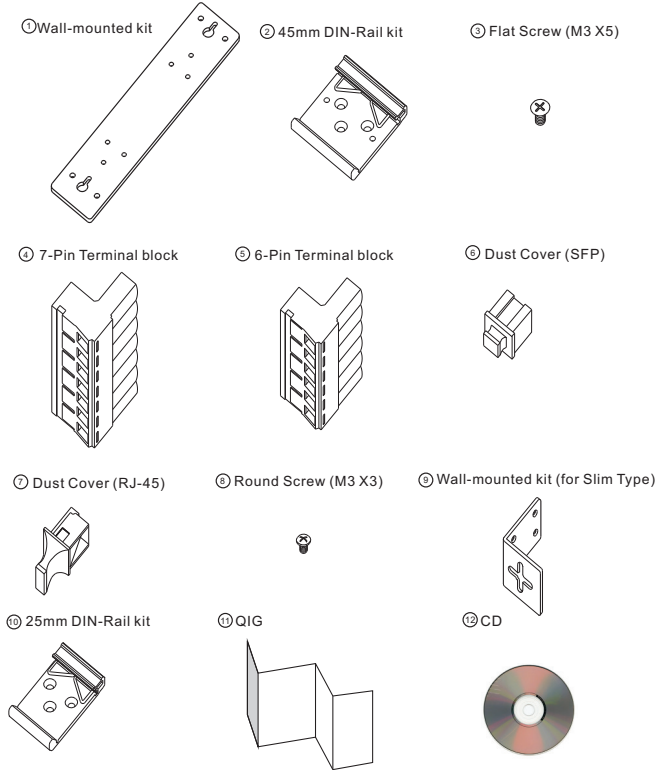
1. Remove the DIN clip
2. Use the 8 screws that can be found in the package in order to mount the the wall mount panel (only use 3mm screws)
3. Mount the switch on the wall



**Dimensions**

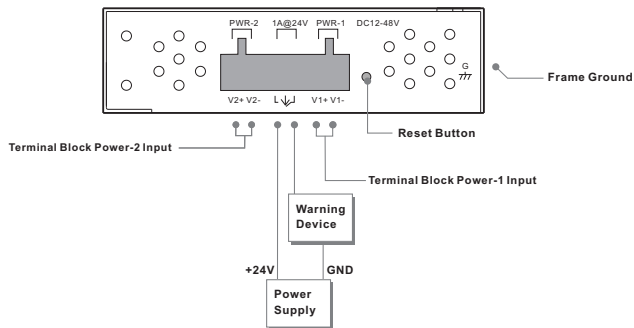


**Accessories**



| Interfaces                 | Description  |
|----------------------------|--|
| 10/100BASE-T(X) RJ45 ports | 10/100Base-T(X) RJ-45 fast ports supporting: Auto-negotiation, Default Setting: Speed: auto Duplex: auto Flow control: disable |
| Fiber ports                | 2 x 100BASE-X SFP ports  |
| Reset pin (bottom)         | Push reset button 2 to 3 seconds to reset the switch. Push reset button 5 second to reset the switch into Factory Default.     |
| Terminal block (bottom)    | Terminal block includes: PWR1, PWR2 (12-48V DC) and Relay output (1A@24VDC)  |

**Power connection**



**Packing list**

| Model name | Model Description  | Accessories  |
|------------|--|--|
| BM-300     | Industrial 6-port slim type lite-managed Ethernet switch with 4x10/100Base-T(X) and 2x100Base-FX, SFP socket | <ul style="list-style-type: none"> <li>⊗ X 1, ⊗ X 2, ⊗ X 4, ⊗ X 8, ⊗ X 2, ⊗ X 1, ⊗ X 1, ⊗ X 1</li> </ul> |