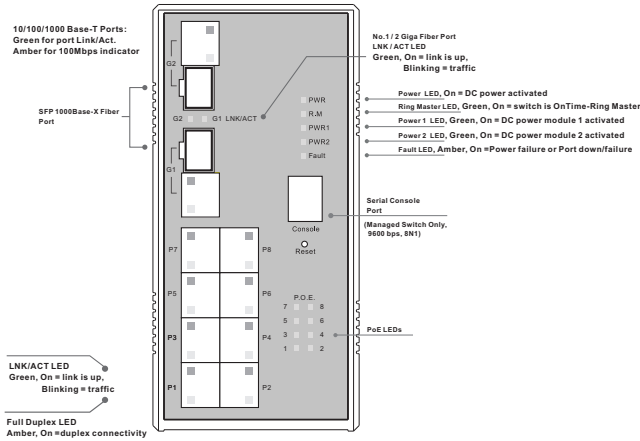


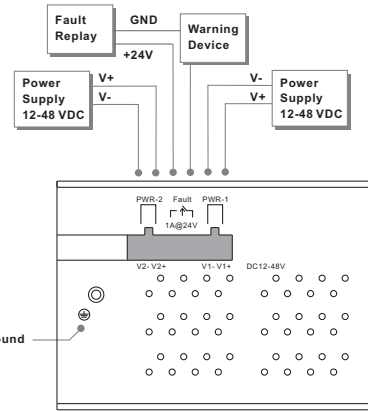
Quick Installation Guide

Blueberry Industrial Managed PoE Fast- and Gigabit Ethernet Switches

● **BM-1700 series**

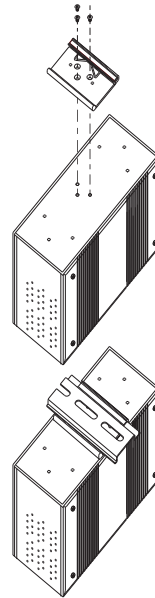


● **Power connection**



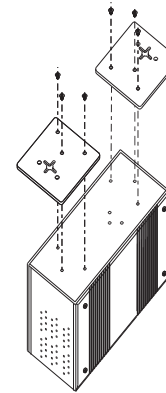
● **Installation**

■ **DIN-Rail installation step**



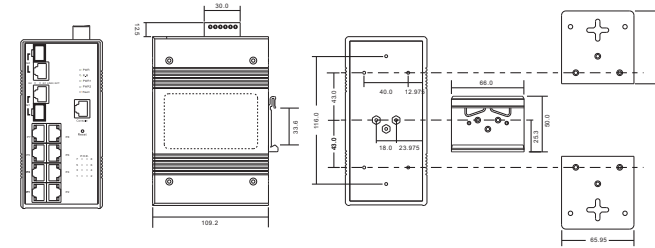
1. Slant the switch and mount the metal spring to the DIN rail
2. Push the switch towards the DIN rail until a «click» sound can be heard

■ **Wall-mounted installation step**



1. Remove the DIN clip
2. Use the six screws that can be found in the package in order to mount the the wall mount panel (only use 3mm screws)
3. Mount the switch on the wall

● **Dimensions**



● **Accessories**

- ① 6-Pin Terminal block
- ② Dust Cover (RJ-45)
- ③ Dust Cover (SFP)
- ④ Wall-mounted kit
- ⑤ Console Cable
- ⑥ 66mm DIN-Rail kit
- ⑦ Flat Screw (M3 X5)
- ⑧ CD
- ⑨ QIG

● **Packing list**

Model name	Model Description	Accessories
BM-1700	Industrial 10-port managed PoE Ethernet Switch with 8x10/100Base-T(X) P.S.E. and 2xGigabit combo ports, SFP socket	① X 6, ② X 1, ③ X 10, ④ X 2, ⑤ X 1, ⑥ X 1, ⑦ X 2, ⑧ X 1, ⑨ X 1

Interfaces	Description
10/100BASE-T(X) RJ45 ports	10/100Base-T(X) RJ-45 fast ports supporting: Auto-negotiation. Default Setting : Speed: auto Duplex: auto Flow control : disable PoE enabled
10/100/1000BASE-X	2 x 10/100/1000BASE-X combo ports
Fiber port	2 x 1000BASE-X SFP ports
Console port	Use the RJ-45-RS232 converter cable to manage the switch
Reset pin	Push reset button 2 to 3 seconds to reset the switch. Push reset button 5 second to reset the switch into Factory Default.
Terminal block (bottom)	Terminal block includes: PWR1, PWR2(12-48V DC) and Relay output (1A@24VDC)